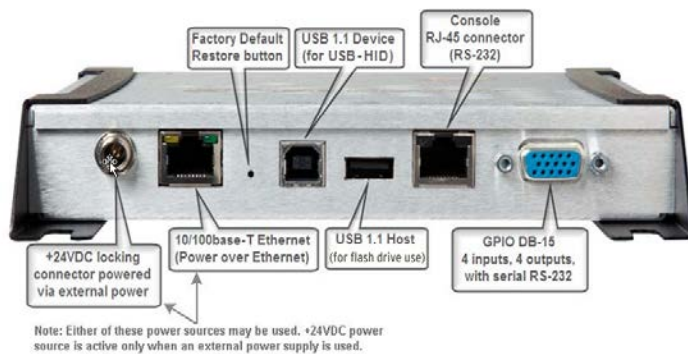


Speedway® Connect is licensed software that runs on the Impinj Speedway® Revolution and xPortal readers and enables users to easily plug-in RFID technology where bar code had previously been used. The simplified graphical user interface enables even those unfamiliar with RFID to set basic reader configurations. Data is then passed to the PC application in keystrokes via USB-HID, serial, Ethernet or Web delivery for RFID deployment without costly software development or middleware expenses.

Obtaining Software and License Keys

Upon purchasing a Speedway Connect license, your authorized Impinj reseller or distributor will provide the software and license key (one key is provided per reader); or a set of instructions on where to obtain the software and keys. In the latter case, you will need to provide the following in order to generate keys: reader serial number(s) and the invoice number with issuing business name. You may have already installed Speedway Connect in a demo capacity. This software will only run for 500 reads without a valid license key.



Getting Started with Speedway Connect

1) Install Speedway Connect software on reader

- Connect to reader WebUI using a web browser <http://<reader name or IP address>>
- Login in to the reader. Default credentials are:
user name: root
password: impinj
- Note the "Software Version" shown on the WebUI. If it is 4.4 or higher, use the web interface to install the Speedway Connect .upg file (choose the file and click Upgrade). If the firmware is below 4.4, ask your authorized Impinj partner or reseller for the latest Octane firmware release and upgrade using the Reader Upgrade utility in the WebUI before installing Speedway Connect.

2) Attach cables to RFID system components

- Attach antennas to the reader as desired. Take care not to cross-thread the antenna cable.
- Connect the reader to a PC using a standard USB cable, RS-232 cable or Ethernet cable.
 - Use the USB 1.1 Device port on the reader and your PC's USB port.
 - RS-232 pins are located on the reader's 15 pin port.
Pin 2 – Receive
Pin 3 – Transmit
Pin 7 - Ground
- Connect the Speedway Revolution reader to the network.
- Connect power to the Speedway Revolution and wait for the reader to boot (~30 sec).

3) Configure reader and start reading tags

- a) Open the PC application into which RFID reader data will be entered.
- b) Place the PC cursor in the data field into which RFID data will be entered.
- c) Point the PC browser to <https://SpeedwayR-XX-XX-XX> where xx-xx-xx are the last six characters of the reader's MAC address (printed on reader label, e.g., <https://SpeedwayR-10-28-42>). You can also use the reader IP address if it is known. A security certificate error may be displayed. Click Accept/Approve to advance to the reader WebUI.
- d) Enter the default password credentials below to access Speedway Connect and change the administrator password on the Keys and Passwords tab.
user name: root
password: impinj
- e) Configure the application as desired, enter the license key if available and click Save. The app will start running after the Save button is clicked. Once configured, the reader does not need to remain connected to the network.

Configuration Options Available with Speedway Connect 1.2

- a. Reader Mode
- b. Search Mode & Session
- c. Transmit Power
- d. Receive Sensitivity
- e. Enable Antennas
- f. Start and Stop Triggers

Output Options Available with Speedway Connect 1.2

- a. USB Port (Keyboard Wedge)
- b. USB Flash Drive
- c. Serial Port (RS-232)
- d. TCP Socket
- e. HTTP and HTTPS Post

The Read Window setting (on the Output tab) allows you to ignore tags for a certain period of time. For example, if you set this value to 5 seconds, each tag will be read once and not read again until the tag leaves the field of view for 5 seconds or longer. If you set this value to 0, Speedway Connect will not filter the tag results.

- f) Placing a tag in the field of view of the antenna will send the EPC data into the PC application as if it were typed in with the keyboard, via RS-232 or to a TCP socket depending upon how Speedway Connect has been configured.

Note: Speedway Connect will stop working after 500 tag reads if a valid license key has not been entered.

Documentation and Help

- <http://www.impinj.com/downloads>
- <http://support.impinj.com>

Notices: Copyright © 2012, Impinj, Inc. All rights reserved.

Impinj gives no representation or warranty, express or implied, for accuracy or reliability of information in this document. Impinj reserves the right to change its products and services and this information at any time without notice.

EXCEPT AS PROVIDED IN IMPINJ'S TERMS AND CONDITIONS OF SALE (OR AS OTHERWISE AGREED IN A VALID WRITTEN INDIVIDUAL AGREEMENT WITH IMPINJ), IMPINJ ASSUMES NO LIABILITY WHATSOEVER AND IMPINJ DISCLAIMS ANY EXPRESS OR IMPLIED WARRANTY, RELATED TO SALE AND/OR USE OF IMPINJ PRODUCTS INCLUDING LIABILITY OR WARRANTIES RELATING TO FITNESS FOR A PARTICULAR PURPOSE, MERCHANTABILITY, OR INFRINGEMENT.

NO LICENSE, EXPRESS OR IMPLIED, BY ESTOPPEL OR OTHERWISE, TO ANY PATENT, COPYRIGHT, MASK WORK RIGHT, OR OTHER INTELLECTUAL PROPERTY RIGHT IS GRANTED BY THIS DOCUMENT.

Impinj assumes no liability for applications assistance or customer product design. Customers should provide adequate design and operating safeguards to minimize risks.

Impinj products are not designed, warranted or authorized for use in any product or application where a malfunction may reasonably be expected to cause personal injury or death or property or environmental damage ("hazardous uses") or for use in automotive environments. Customers must indemnify Impinj against any damages arising out of the use of Impinj products in any hazardous or automotive uses.

Impinj, Indy, and Monza are registered trademarks of Impinj, Inc. All other product or service names are trademarks of their respective companies.