

Omni-ID® IQ 400

Omni-ID IQ 400 Ultrathin labels provide on metal tag functionality, within a low profile, easy to deploy label. Supplied in roll form as either finished labels or as an inlay for conversion, the Omni-ID IQ 400 has been optimized for thermal barcode printers, enabling low cost and hassle-free RFID deployment. IQ 400 has redefined the standard for both consistency and reliability for metal and liquid RFID tagging, enabling new applications and revolutionizing integration into manufacturing and supply chain processes.

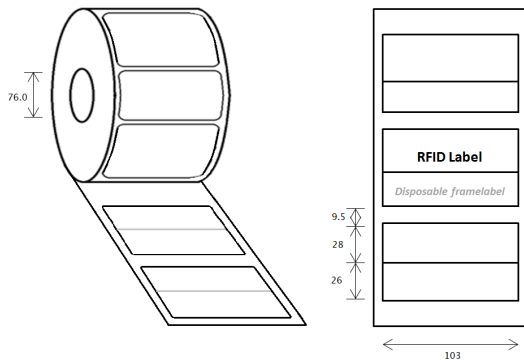
Applications

With innovative construction and thermal barcode printer compatibility, the Omni-ID IQ 400 label is ideal for hassle free deployment of RFID applications involving metals and liquids such as:

- ▶ IT, Office and Hospital asset tracking.
- ▶ Logistics involving metal produce or packaging.
- ▶ Pipe manufacturing and re-certification.

Physical Specifications

Material	Synthetic Label
Size (mm) (tolerance)	103.0 x 28.0 x 0.8 (+/- 0.5)
Size (in) (tolerance)	4.1 x 1.1 x 0.03 (+/-0.02)
Weight (g)	2.8 (US)



Dimensions stated in mm

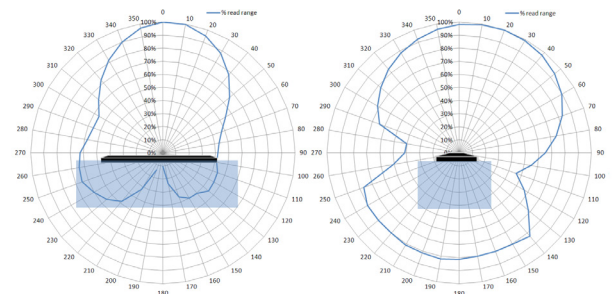
RF Specifications

Protocol	EPC Class 1 Gen2
Frequency Range (MHz)	866-868 (EU) 902-928 (US)
Read Range (Fixed reader) ¹	Up to 4.0m (13.1ft)
Read Range (Handheld reader) ¹	Up to 2.0m (6.5 ft)
Material Compatibility	Optimized for metal and liquid
IC Type (chip)	Impinj Monza 4QT
Memory ²	User - 512bits

1. Quoted performance achieved using standard testing methodology. Read range will vary with reader hardware and output power.
2. EPC and User memory are reprogrammable, TID is locked at point of manufacture.

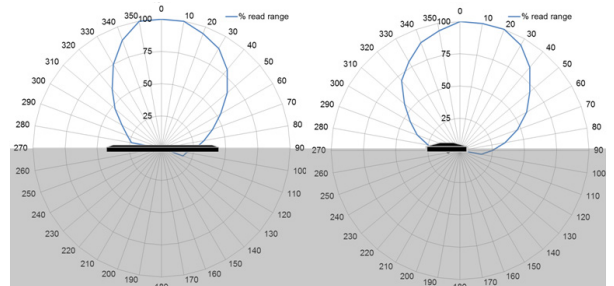
Radiation Patterns

On Liquid



Large Metal

Sheet



Related Products and Services

- ▶ **Omni-ID Prox NG** – Market leading, small form factor tag for mixed plastic and metal IT asset environments in global enterprises.
- ▶ **Omni-ID IQ400P** – Small premium label for plastic assets
- ▶ **Omni-ID IQ800P** – Large premium label for plastic assets.
- ▶ **Service Bureau** – Omni-ID offers a full service bureau for printing and pre-encoding Omni-ID tags at point of manufacture.



Environmental Specification

Operating Temperature	-20 to +65°C
Long term Max Temperature ¹ Exposure – (days, weeks, years)	+65°C
Short term Max Temperature ¹ exposure – (minutes hours)	+85°C
IP Rating	IP68
Attachment	Self-adhesive (standard)
Certifications	RoHS approved CE approved ATEX/IECEX certified (option) US & Canada (C1D1/D2) certified (option)
Warranty	1 year
Supply Format	200 labels per roll

¹Excludes adhesive options, consult adhesive data sheets for recommended temperature ratings.

Ordering Information

Order Numbers	063 – EU, US :304 (ATEX/IECEX certified) :307 (US & Canada (C1D1/D2) certified) :701 (Standard Service Bureau) :702 (Custom Service Bureau)
	068 - EU, US (Dry inlay for conversion)