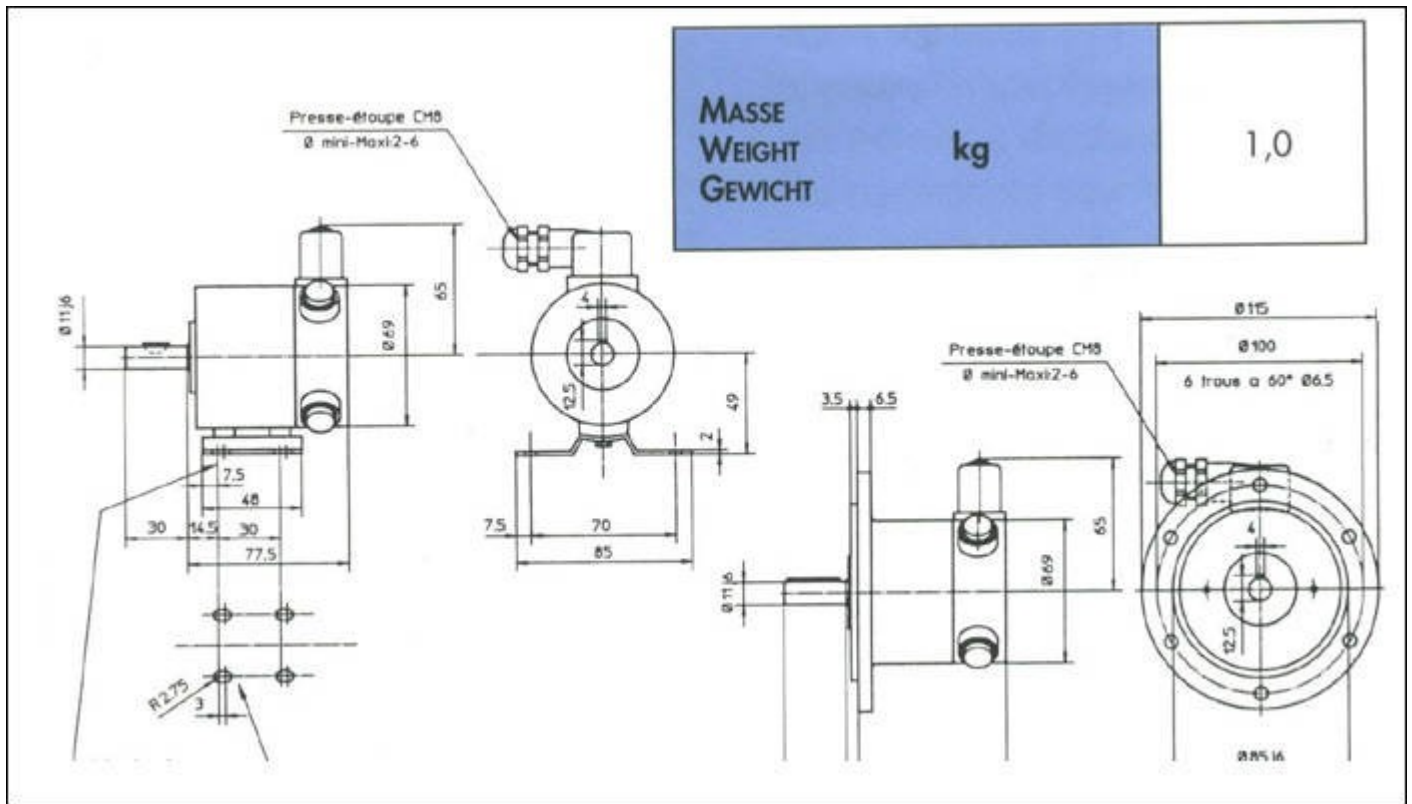


# Radio Energie RE.0444 L Tachogenerator KM811491G01

## Technical Diagram



## Electrical Options

				Standard
E.M.F at 1000rpm	$E_n$	V	1 coll.	60
Voltage gradient	$C_v$	V/tr/min V/rpm V/U/min	1 coll.	0,06
Armature resistance	$R_a$	impedance	1 coll.	160
Max. thermal load	$I_{th}$	A	1 coll.	0,1
Max. allowed speed	$n_a$	tr/min rpm U/min	1 coll.	5000



**ASKA**

ul. Wędkarska 2A/B1, 04-869 Warszawa  
tel. 22 4985908/9, fax 22 6177020

e-mail: [ask@aska.com.pl](mailto:ask@aska.com.pl) [www.kodykreskowe.com](http://www.kodykreskowe.com)